

Electronic switch 2A



Content

| | Page |
|---|----------|
| 1 <u>Description</u> | 1 |
| 2 <u>Installation</u> | 2 |
| 2.1 Electrical Installation | 2 |
| 2.2 Mechanical Installation..... | 2 |
| 3 <u>Programming</u> | 2 |
| 4 <u>LED-Display</u> | 3 |
| 4.1 internal green LED..... | 3 |
| 4.2 external blue LED | 3 |
| 5 <u>Technical data</u> | 3 |
| 6 <u>Accessories</u> | 3 |
| 6.1 external blue LED | 3 |
| 6.2 Magnet | 3 |
| 7 <u>EG Declaration of Conformity</u> | 4 |
| 8 <u>Instructions for disposal</u> | 4 |

1 **Description**

The electronic switch is a small device without any moving parts. Therefore it is resistant to any kind of impact and vibration. It is especially designed for the rough environment in RC-models. This switch was designed for loads with low current consumption, which are powered directly from the receiver.

The positive terminal is switched. Ground is common on both input and output.

The electronic switch is connected to a servo terminal on the receiver.

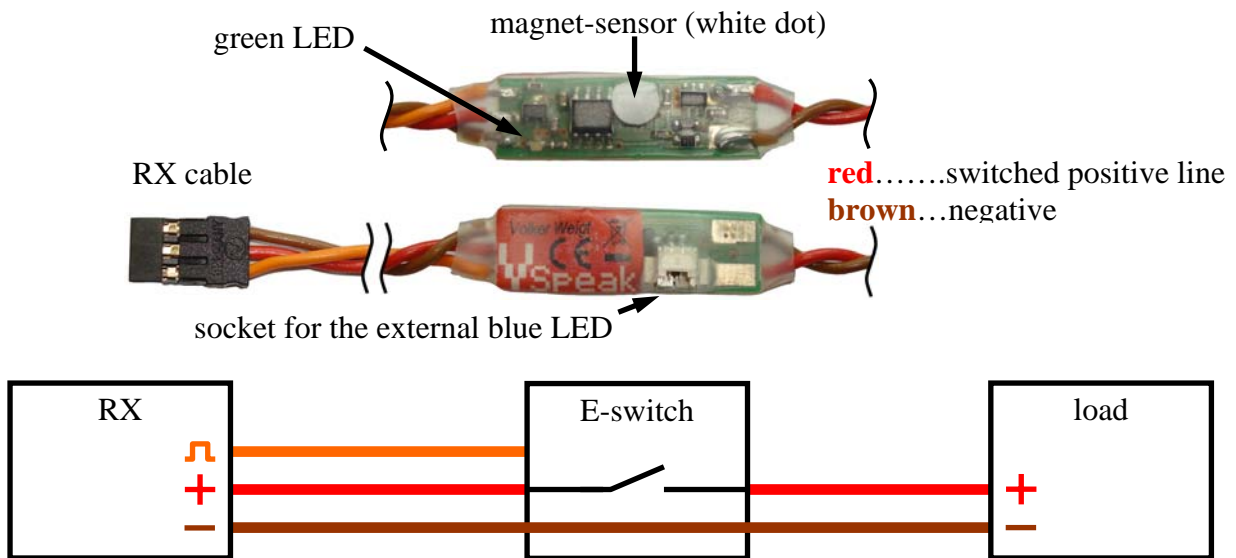
The programming of the "ON" position/range is achieved by using a magnet. The current switch state and faults are displayed with the onboard green LED.

The optional "external blue LED" can be connected to the electronic switch and should be placed somewhere visible from outside of the model. The external LED is only lit when the switch status is "ON".

If the servo-signal is missing for more than 2.5 seconds, the load is switched OFF and cannot be activated unless the receiver is power cycled. Also, the green LED will blink every half second.

2 Installation

2.1 Electrical Installation



2.2 Mechanical Installation

The electronic switch should be mounted using double sided foam tape or hot glue on the inside of the outer hull of the model, so you can program it using the magnet.

Notice: The electronic switch is programmed by a magnet. Make sure you place it away from strong magnetic fields, like brushless motors or canopy mounting magnets.

3 Programming

Make sure the radio and receiver are powered and the electronic switch is connected to the right channel. Also make sure the channel is set to the desired "ON" position.

Hold a magnet to the magnet-sensor (white dot). If the magnet is near enough, the green LED starts blinking. To enter programming mode, keep the magnet near the sensor for 4 seconds. The green LED will start flickering, the switch is turned "ON". If you only want to program a fixed switch position, you are done now. If you want to program a "ON"-range, then move the corresponding stick on the radio to the upper and lower limit. The electronic switch will memorize these positions and switch "ON", as long the signal is within this range. Remove the magnet when you are done.

4 LED-Display

4.1 internal green LED

OFF: Switch is OFF

ON: Switch is ON

Blinking: Magnet near Sensor, switch status is kept on previous state
-or-

Fault, no servo signal for more than 2.5 seconds, switch is "OFF"

Flickering: Programming mode, switch is "ON"

4.2 external blue LED

OFF: Load is switched "OFF", no connection to the load battery

ON: Load is switched "ON", power from load battery

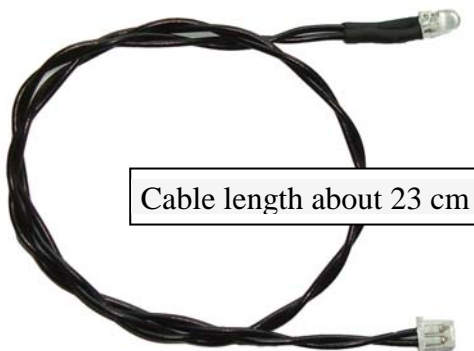
5 Technical data

| | |
|---|--|
| Servo input | 3,0 ... max 15V |
| Switch current | max 2 A |
| Power consumption | ON: about 15 mA/ 9mA with / without external blue LED OFF: about 2 mA |
| Size | 30 x 9 x 8 mm (PCB) |
| Weight | 6 g (incl. Cable) |
| Connectors | RX cable (0,25 mm ²) Load: 2-wire cable (0,25 mm ²) 2-pin socket for the external blue LED |
| The "ON" range can be programmed completely free. | |

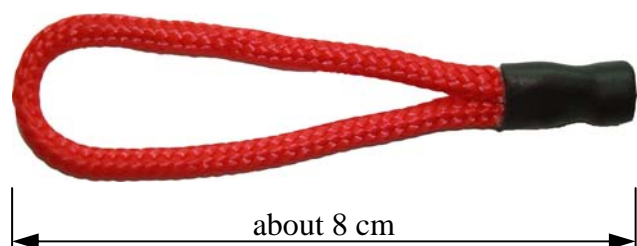
6 Accessories

The following accessories are **not included**:

6.1 external blue LED



6.2 Magnet



7 EG Declaration of Conformity

Manufacturer

VSpeak-Modellbau (Volker Weigt)
Priestewitz



We hereby declare that the product

Electronic switch 2A

complies with the following European directives:

| | |
|-------------|--|
| 2004/108/EC | EMC Directive |
| 2006/95/EC | Low Voltage Directive (LVD) |
| 2011/65/EC | Restriction of Hazardous Substances (RoHS) |

The presumption of conformity is taken by applying the following harmonized standards:

| | |
|-------------|---|
| EN60065 | Audio-, video- and similar electronic apparatus - Safety requirements |
| EN60332 | Tests on electric and optical fibre cables under fire conditions |
| EN60950 | Information technology equipment - Safety |
| EN61000-6-1 | Electromagnetic compatibility (EMC) |
| EN61000-6-3 | |
| EN55022 | Information technology equipment - Radio disturbance characteristics |

Priestewitz, 2013/08/01

A handwritten signature in black ink, appearing to read 'Weigt', written over a dotted line.

.....
Signature
Volker Weigt
Managing Director

8 Instructions for disposal



Equipment marked with the symbol should not be disposed of within household waste.